



# TRU-HOLD® CONCRETE HARDWARE ANCHORING SYSTEM

## TUBE - THREAD PROTECTOR

- Color Coded for different sizes of hardware
- Available in different lengths for different types of pours
- Durable and light - Thermoplastic – Rust Resistant
- Low replacement cost
- Interchangeable – One base for different sizes and lengths of thread protector
- Keeps the hardware straight and maintains the vertical distance of the hardware
- Protects the threads on the hardware from concrete spills

## THUMB SCREW

- Holds the hardware at the right height and direction
- Prevents the hardware from rotational movement

## LAYOUT OPENING

- Minimizes errors by missing or placing the hardware incorrectly
- Maximizes high skill labor productivity by performing only the layout and lets the helper install Tru-Hold® and the hardware.

## STEP AND STOP

- Automatically secures the position of Tru-Hold® to maintain the horizontal distance of the hardware for different types of lumber (2x6 and 2x8)

## RIGID ALUMINUM EXTENSION ARM BASE

- Strong and firm – will not deflect due to the weight of the hardware and concrete pressure
- Light and Durable – made from aluminum for lightness and rust resistance
- Install it once and leave it

## APERTURES

- Attach the Tru-Hold® with the hardware installed firmly on the form
- A few apertures on different locations to accommodate different jobs and form conditions

## MARKING / SIGN:

- Simple guide to install the hardware
- Hardware installation procedure from manufacturer should supersede the instruction on the marking/sign.





# TRU-HOLD® CONCRETE HARDWARE ANCHORING SYSTEM



More efficient layout

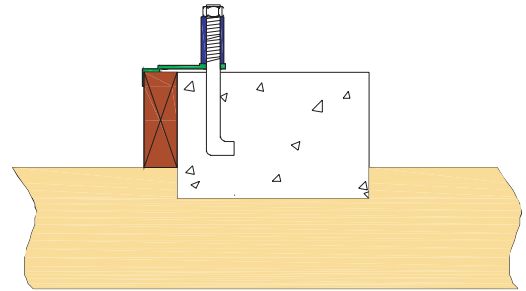


Tru - Hold working together with Form Connect

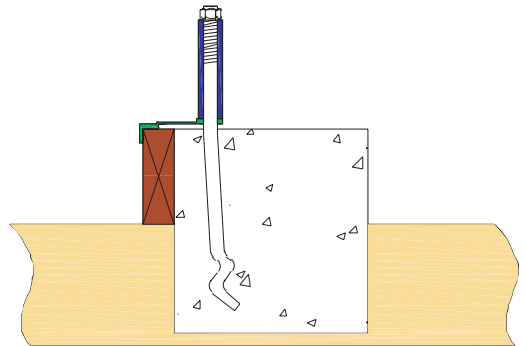


Tru - Hold in action

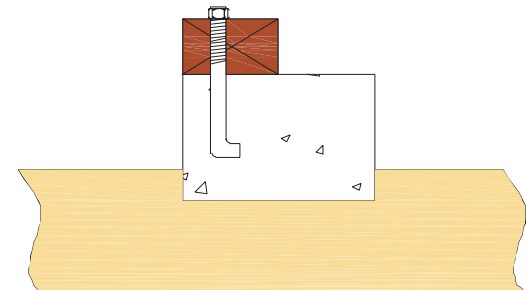
## Alternate Set-ups



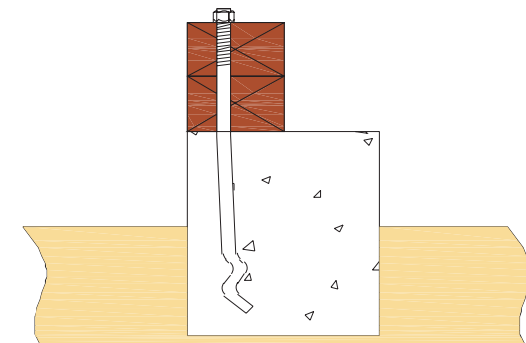
Tru-Hold set-up for single sill plate



Tru-Hold set-up for double sill plate



Tru-Hold set-up for single sill plate



Tru-Hold set-up for double sill plate



THINX R&D, CORP

5135 Lante St - Baldwin Park, CA 91706 - Phone: (626) 202-9858 - Fax: (325)-202-9850 - [www.thinxcorp.com](http://www.thinxcorp.com)